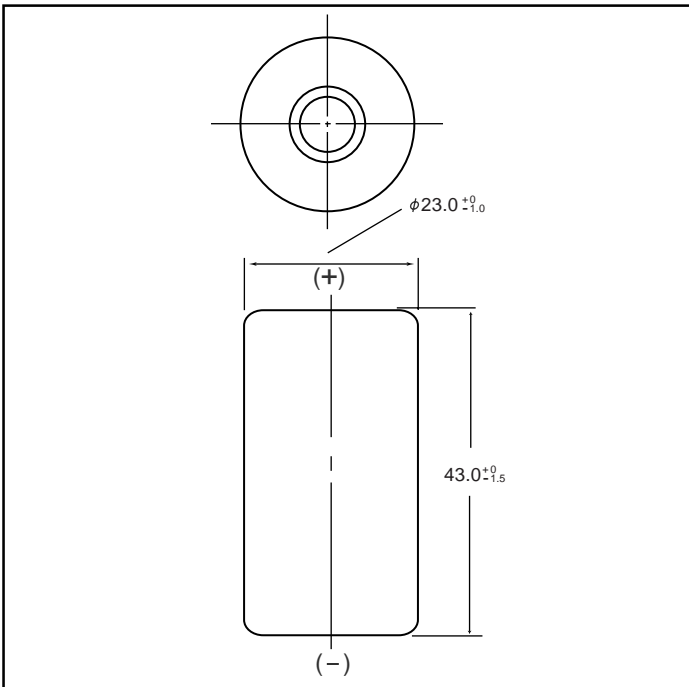


# NICKEL CADMIUM BATTERIES: INDIVIDUAL DATA SHEET

## P-130SCS SC size (KR23/43) Type: R

Dimensions (with tube) (mm)



### Specifications

		mm	inch	
<b>Diameter</b>		23.0 +0/-1.0	0.89 +0/-0.02	
<b>Height</b>		43.0 +0/-1.5	1.69 +0/-0.06	
<b>Approximate Weight</b>	<b>Grams</b>	44g	<b>Ounces</b>	
			1.55	
<b>Nominal Voltage</b>		1.2V		
<b>Discharge Capacity*</b>	<b>Average**</b>	1450mAh		
	<b>Rated (Min.)</b>	1300mAh		
<b>Approx. Internal impedance at 1000Hz at charged state</b>		6mΩ		
<b>Charge</b>	<b>Standard</b>	130mA (0.1It) x 16 hrs.		
	<b>Rapid***</b>	1300mA (1It) x 1.5 hrs.		
<b>Ambient Temperature</b>	<b>Charge</b>	<b>Standard</b>	<b>°C</b>	
			<b>°F</b>	
	<b>Discharge</b>	<b>Rapid</b>	0°C to 45°C	32°F to 113°F
			10°C to 40°C	50°F to 104°F
<b>Storage</b>	<b>Discharge</b>	-20°C to 65°C		
		-4°F to 149°F		
		<b>&lt; 2 years</b>	-20°C to 35°C	-4°F to 95°F
		<b>&lt; 6 months</b>	-20°C to 45°C	-4°F to 113°F
	<b>&lt; 1 month</b>	-20°C to 55°C	-4°F to 131°F	
	<b>&lt; 1 week</b>	-20°C to 65°C	-4°F to 149°F	

\* 0.2It discharge capacity after charging at 0.1It for 16 hours.

\*\* For reference only.

\*\*\* Refer to "Charge Methods for Ni-Cd Batteries"

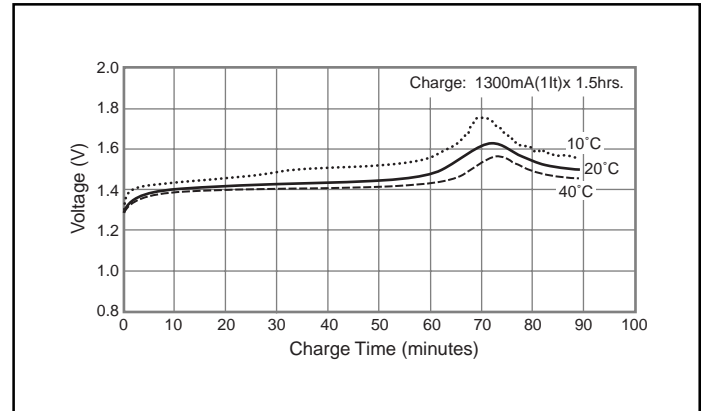
Battery performance and cycle life are strongly affected by how they are used. In order to maximize battery safety, please consult Panasonic when determining charge / discharge specs, warning label contents and unit design.

**Note:** [It] was previously expressed as [C]. [It] is an IEC standard expression for the amount of charge or discharge current and is expressed as:

$$It(A) = C_n (Ah)/1h.$$

- [It] is the reference test current in amperes
- [Cn] is the rated capacity of the cell or battery in Ampere-hours.
- n = the time base [hours] for which the rated capacity is declared

### Typical Charge Characteristics



### Typical Discharge Characteristics

